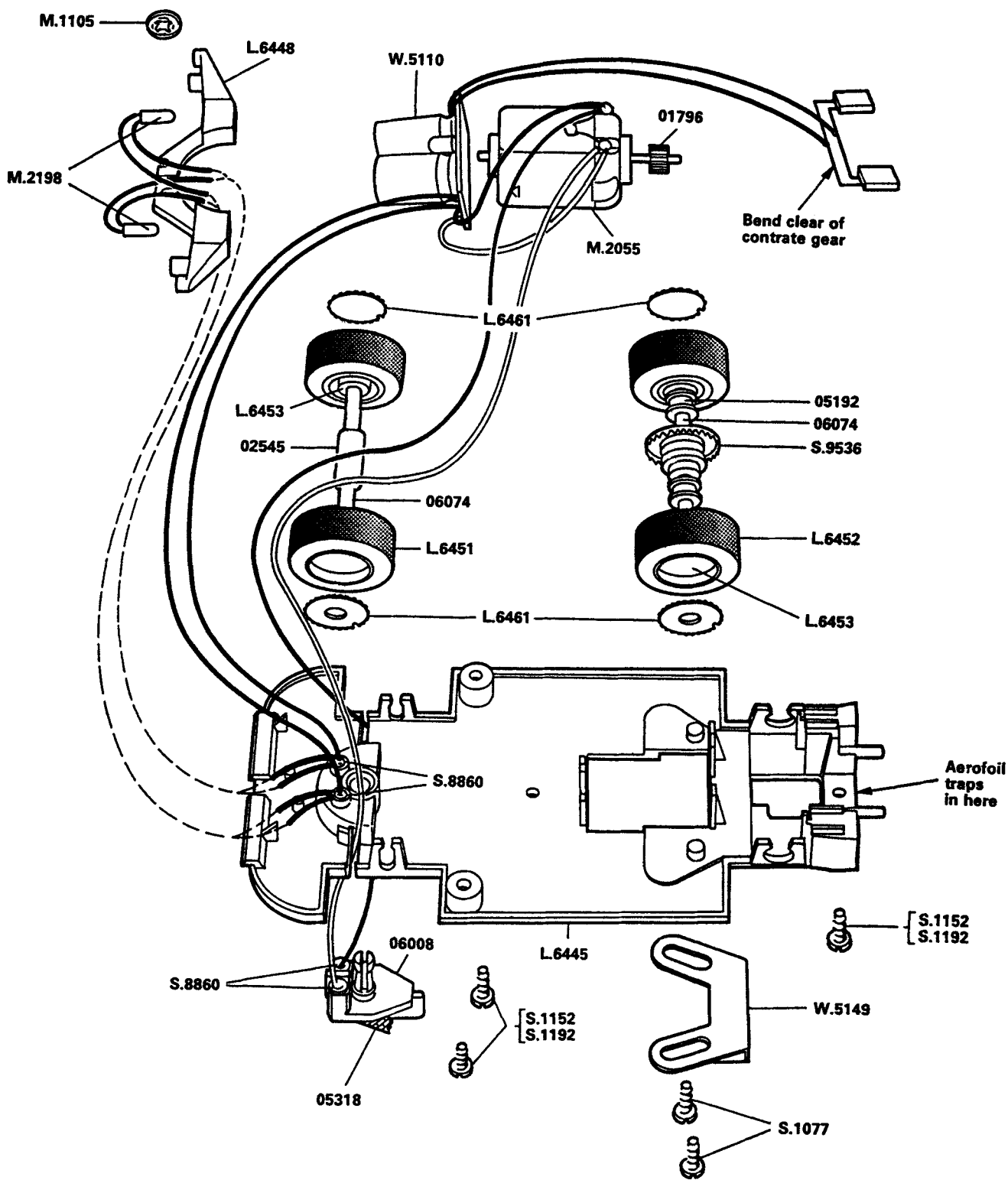


# JAGUAR XJ8 AND PORSCHE 962 SPORTS CARS

## with HEAD & BRAKELIGHTS

See overleaf for list of spare parts





## JAGUAR XJ8 AND PORSCHE 962 SPORTS CARS

with HEAD & BRAKELIGHTS

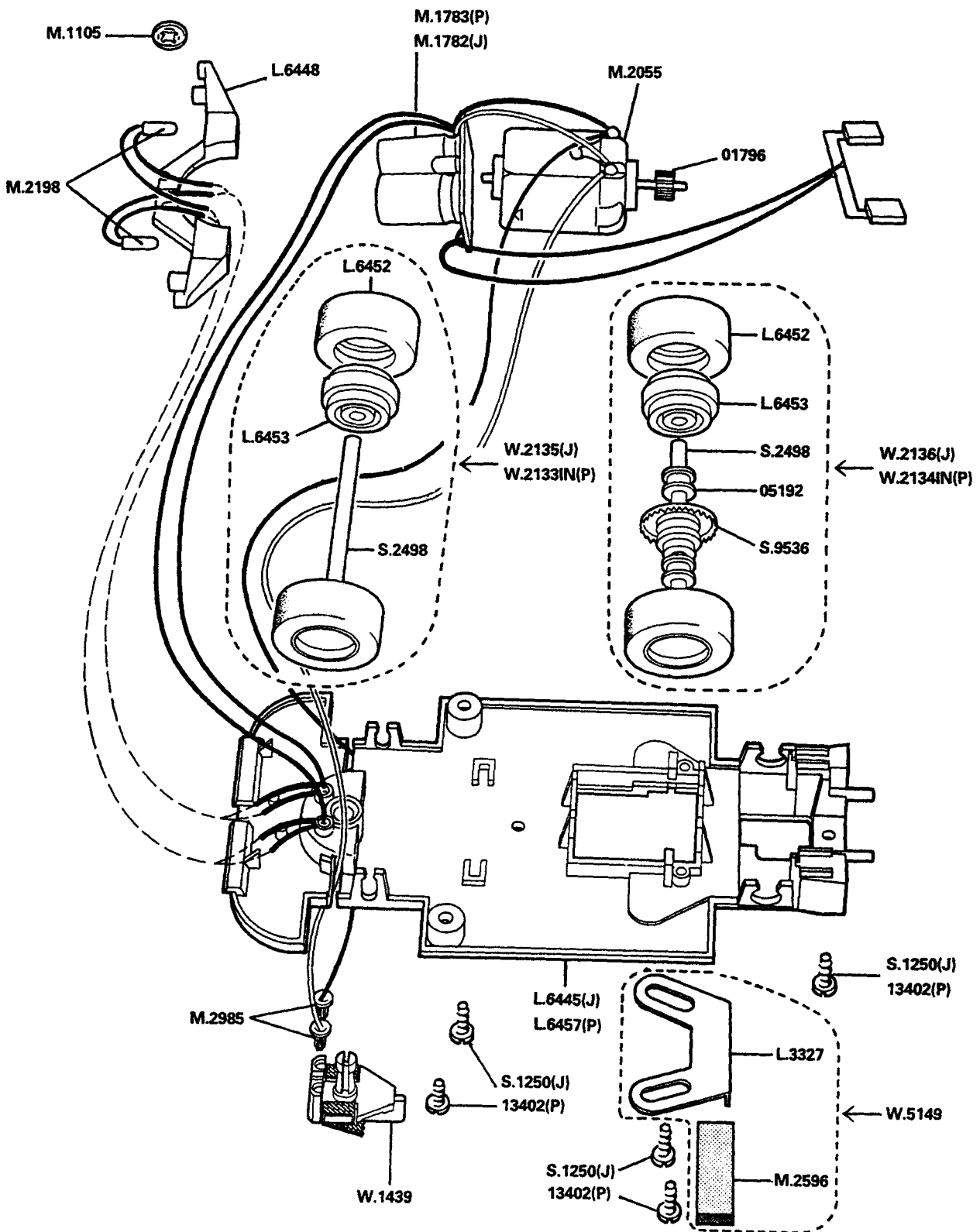
List of Parts			
Ref. No.	Item	Jaguar C.382, C.443	Porsche C.436, C.444
W.5110	PCB with Brakelights.....	✓	✓
W.5149	Magnet Assembly .....	✓	✓
L.6445	Underpan.....	✓	—
L.6447	Aerofoil. Not shown .....	✓	—
L.6448	Light Unit.....	✓	✓
L.6449	L/H Wing Mirror. Not shown.....	—	✓
L.6451	Front Tyre .....	✓	✓
L.6452	Rear Tyre .....	✓	✓
L.6453	Wheel Hub .....	✓	✓
L.6455	Wing Mirror. Not shown .....	✓	—
L.6457	Underpan. Not shown.....	—	✓
L.6461	Hub Disc .....	—	✓
L.6577	R/H Wing Mirror. Not shown.....	—	✓
M.1105	Starlock Washer .....	✓	✓
M.2055	Motor with Harness .....	✓	✓
M.2198	Bulb .....	✓	✓
S.1077	Screw—Magnet fixing .....	✓	✓
S.1152	Screw—Body fixing .....	✓	—
S.1192	Screw—Body fixing .....	—	✓
S.8860	Eyelet .....	✓	✓
S.9536	Contrate Gear .....	✓	✓
01796	Motor Pinion .....	✓	✓
02545	Front Axle Spacer .....	✓	✓
05192	Rear Axle Bearing .....	✓	✓
05318	Pick-up Braid (Pack of 6).....	✓	✓
06008	Guide Blade .....	✓	✓
06074	Axle .....	✓	✓



# JAGUAR XJ8 (J) AND PORSCHE 962 (P) SPORTS CARS

## with HEAD & BRAKELIGHTS

See overleaf for list of parts





## JAGUAR XJ8 AND PORSCHE 962

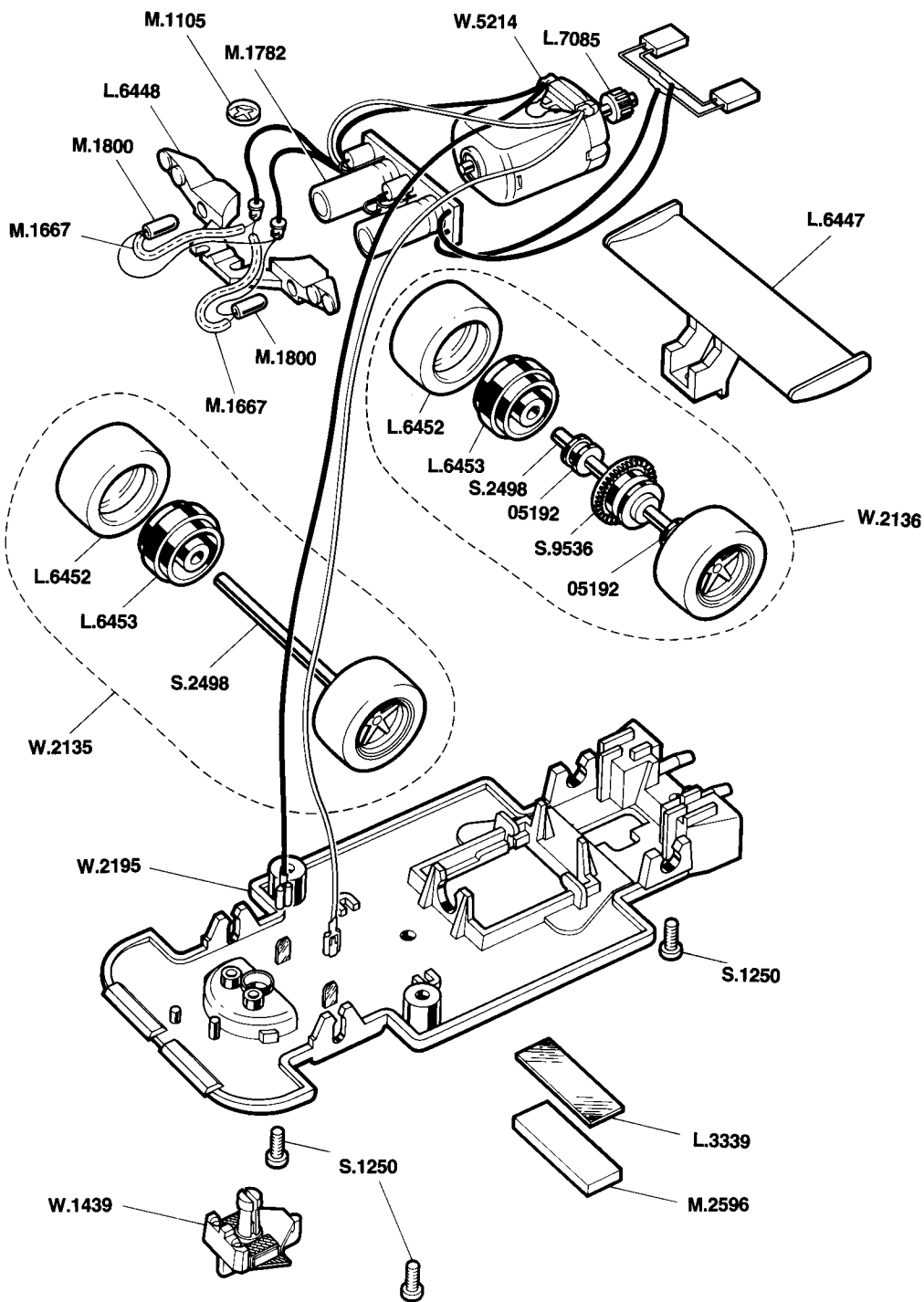
List of Parts			
Ref. No.	Item	Used on	
		Jaguar	Porsche
W.1439	Guide Blade Assembly .....	✓	✓
W.2133IN	Front Axle Assembly .....	—	✓
W.2134IN	Rear Axle Assembly .....	—	✓
W.2135	Front Axle Assembly .....	✓	—
W.2136	Rear Axle Assembly .....	✓	—
W.5149	Magnet Assembly .....	✓	✓
L.3327	Magnet Plate.....	✓	✓
L.6445	Underpan.....	✓	—
L.6447	Aerofoil (not shown).....	✓	—
L.6448	Light Lens .....	✓	✓
L.6449	L/H Mirror (not shown) .....	—	✓
L.6452	Tyre.....	✓	✓
L.6453	Hub .....	✓	✓
L.6455	Wing Mirror (not shown) .....	✓	—
L.6457	Underpan.....	—	✓
L.6577	R/H Mirror (not shown).....	—	✓
M.1105	Starlock Washer .....	✓	✓
M.1782	PCB with Brakelights .....	✓	—
M.1783	PCB with Brakelights .....	—	✓
M.2055	Motor with Pinion & Harness .....	✓	✓
M.2198	Bulb.....	✓	✓
M.2596	Magnet.....	✓	✓
M.2985	Eyelet .....	✓	✓
S.1250	Screw .....	✓	—
S.2498	Axle.....	✓	✓
S.9536	Contrate Gear .....	✓	✓
01796	Motor Pinion .....	✓	✓
05192	Rear Axle Bearing .....	✓	✓
13402	Screw .....	—	✓



See overleaf for PORSCHE 962

# JAGUAR XJ8

As produced from April 1992



### List of Parts

Ref. No.	Item	Ref. No.	Item	Ref. No.	Item
W.1439	Guide Blade Assembly .....	L.6453	Hub .....	M.2596	Magnet .....
W.2135	Front Axle Assembly .....	L.6455	Wing Mirror (not shown) .....	S.1250	Screw .....
W.2136	Rear Axle Assembly .....	L.7085	Motor Pinion.....	S.2498	Axle .....
W.2195	Underpan with Contacts .....	M.1105	Starlock Washer.....	S.9536	Contrate Gear .....
W.5214	Motor with Pinion and Harness	M.1667	Sleeving.....	05192	Rear Axle Bearing .....
L.3339	Keeper Plate .....	M.1782	PCB with Brakelights.....		
L.6447	Aerofoil .....	M.1800	Bulb .....		
L.6448	Light Lens .....				
L.6452	Tyre.....				

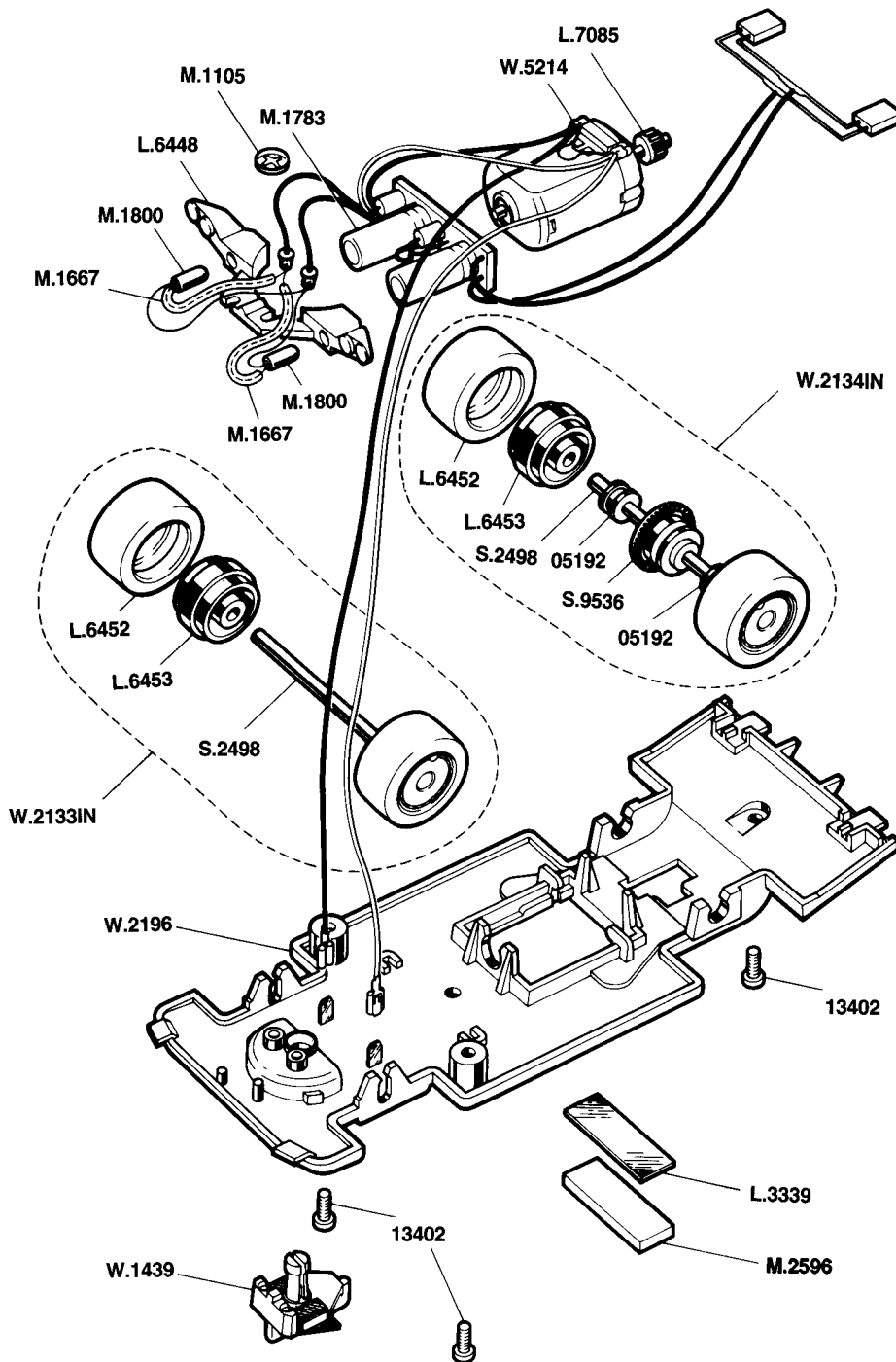


Westwood, Margate,  
Kent, CT9 4JX, England.

# PORSCHE 962

As produced from April 1992

See overleaf for JAGUAR XJ8



### List of Parts

Ref. No.	Item	Ref. No.	Item	Ref. No.	Item
W.1439	Guide Blade Assembly .....	L.6453	Hub.....	M.2596	Magnet .....
W.2133IN	Front Axle Assembly .....	L.6577	R/H Mirror (not shown) .....		
W.2134IN	Rear Axle Assembly .....	L.7085	Motor Pinion.....		
W.2196	Underpan with Contacts .....			S.2498	Axle .....
W.5214	Motor with Pinion and Harness	M.1105	Starlock Washer.....	S.9536	Contrate Gear .....
L.3339	Keeper Plate .....	M.1667	Sleeving.....		
L.6448	Light Lens .....	M.1783	PCB with Brakelights .....		
L.6449	L/H Mirror (not shown) .....	M.1800	Bulb .....	05192	Rear Axle Bearing .....
L.6452	Tyre .....			13402	Screw .....